

77FLF-200 Series

Full Port Solder End Brass Ball Valve

LEAD FREE

SUBMITTAL SHEET

"Apollo" Valves



Job Name:	
Job Location:	
Engineer:	
Contractor:	
Tag:	
PO#:	
Rep:	
Wholesale Dist.:	

DESCRIPTION

The Apollo® 77FLF-200 Series is a lead free* full port forged brass ball valve ideal for a wide range of plumbing and heating applications, including potable water. These two piece style solder connection valves carry multi-agency approvals and are designed to provide reliable operation at a competitive price. The 77FLF-200 series valve is intended to be soft soldered into lines without disassembly. Proudly Made in the USA.

FEATURES

- EZ-Solder™ Lead Free Materials**/Certification
- Heavy Pattern Forged Design
- Full Port Flow
- Superior RPTFE Seats and Packing
- Adjustable Stem Packing
- Blowout-Proof Stem
- Corrosion Resistant Materials
- Silicone Free assembly
- 100% Factory Tested
- Made in USA, ARRA Compliant

APPROVALS

- MSSP-SP-110 Ball Valves
- IAPMO IGC-157 Ball Valves
- FM 1140 (1/2" -2")
- NSF/ANSI 61 Section 8, Annex G
- NSF/ANSI 372

OPTIONS

- (-01) Standard Lever
- (-04) 2-1/4" Stem Extension 1/4" - 2-1/2"
- (-07) Tee Handle 1/4" - 2"
- (-11) Therma-Seal™ Insulating Tee Handle 1/4" - 2"
- (-27) Locking Handle SS 1/4" - 2-1/2"
- 77FLF240 Series - SS Ball & Stem

PERFORMANCE RATING

- Rating: 600 CWP (1/4" - 2")
- Rating: 400 CWP (2-1/2" - 4")
- Temperature Range: 0°F - 400°F
- Vacuum Service to 29 in. Hg

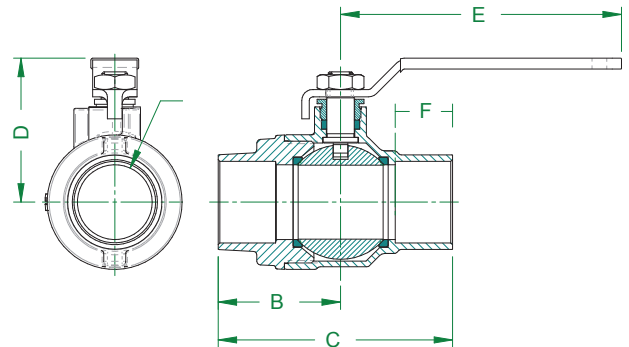
STANDARD MATERIALS LIST

BODY	Forged Lead Free Brass, C27451
SEAT	Reinforced RPTFE
BALL	Lead Free Brass, C27451, Chrome Plated
STEM PACKING	Reinforced RPTFE
NUT	Corrosion Resistant Plated Steel
STEM	Lead Free Brass, C27451
RETAINER	Lead Free Brass, C27451
HANDLE	Plated Steel / Insulated Polyvinyl
GLAND	Brass, ASTM B16, alloy C36000

**77FLF-2xx intended for soft solder installation using solders with melting temperature of < 500°F.

DIMENSIONS

Model Number	Size (in.)	Dimensions (in.)						Wt. (lbs.)
		A	B	C	D	E	F	
77FLF-203-01	1/2"	0.50	1.37	2.37	1.66	2.85	0.50	0.4
77FLF-204-01	3/4"	0.75	1.72	3.13	1.91	3.86	0.75	0.9
77FLF-205-01	1"	1.00	2.01	3.73	2.11	3.86	0.91	1.3
77FLF-206-01	1-1/4"	1.25	2.07	3.97	2.44	4.75	0.97	2.0
77FLF-207-01	1-1/2"	1.50	2.42	4.69	2.91	5.42	1.09	3.3
77FLF-208-01	2"	2.00	2.91	5.82	3.69	7.77	1.34	5.6
77FLF-209-01	2-1/2"	2.50	3.68	7.05	4.14	7.77	1.48	11.6
77FLF-200-01	3"	3.00	4.26	8.15	5.03	9.92	1.67	19.3
77FLF-24A-01	4"	4.00	4.82	9.57	5.70	14.78	2.16	25.6



*LEAD FREE: The wetted surfaces of this product shall contain no more than 0.25% lead by weighted average. Complies with Federal Public Law 111-380. ANSI 3rd party approved and listed.